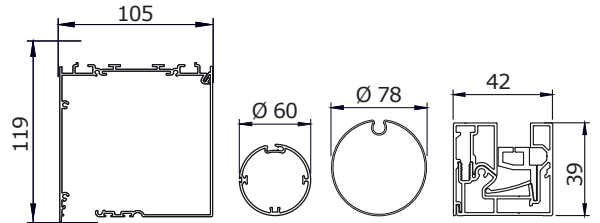
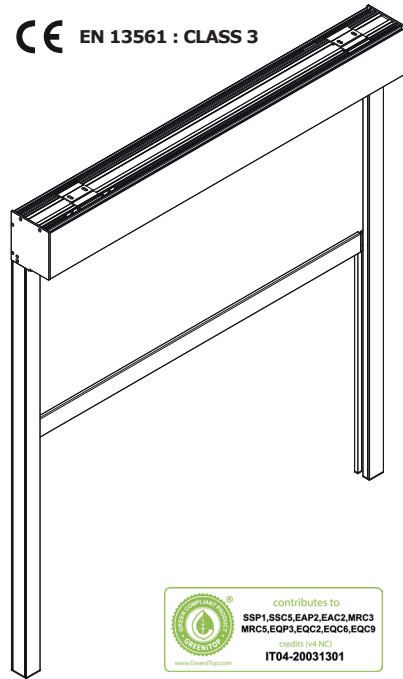


ZIP



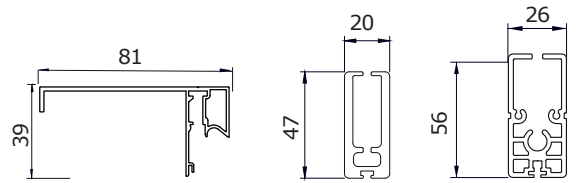
CE EN 13561 : CLASS 3



C104

tube

GS41



FZ47

F56



Guided roller blind with headbox. ZIP system keeps the fabric inside the channels and ensures stability. The fabric is under tension thanks to lateral closures that slide on the side guides in all circumstances, even outdoors and in the wind.

Total closure.

High wind resistance.

Total blackout.

Extruded aluminium headbox.

Internal and external application.

The side guides take up very little space (39x42 mm).

Mechanical motor operated as a standard. SOMFY RTS or IO motorization available.

DIMENSIONS:

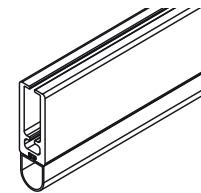
Maximum width:

450 cm

Maximum height:

300 cm

COLORS:



PVC strip for hem bar

