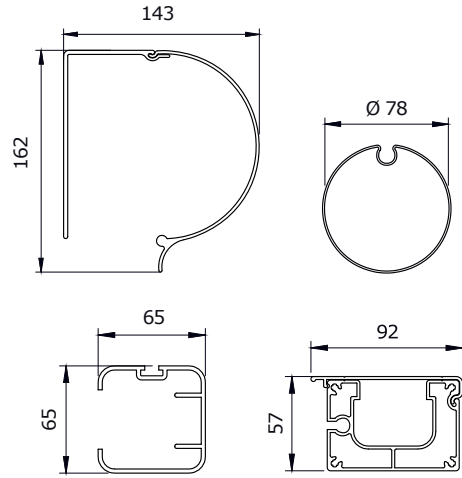
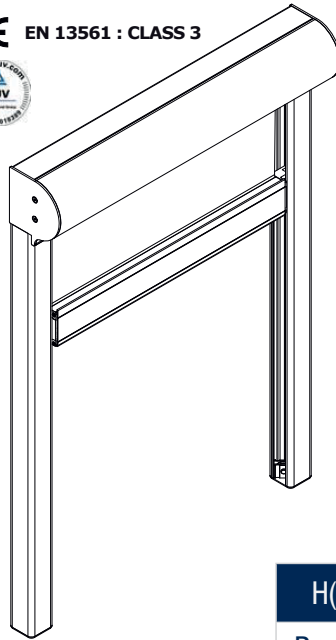


COVERGLASS VERANDA



CE EN 13561 : CLASS 3



Elegant and resistant system, designed for outdoor use, for covering verandas and large areas.

Suitable for vertical, horizontal or inclined position.

Optimal solar protection.

Equipped with an efficient system to hold the fabric under tension in any position. Traction bar in extruded aluminium with removable cover containing a pre-loaded spring to guarantee constant fabric tension.

Extruded aluminium headbox with removable cover.

Motorised operation.

Fixing brackets

H(cm)	0-199	200-279	280-359	360-439	440-500
Brackets	4	6	8	10	12

DIMENSIONS:

Maximum width:
150/450 cm

Maximum height:
300/500 cm

COLORS:

Consult fabrics

